

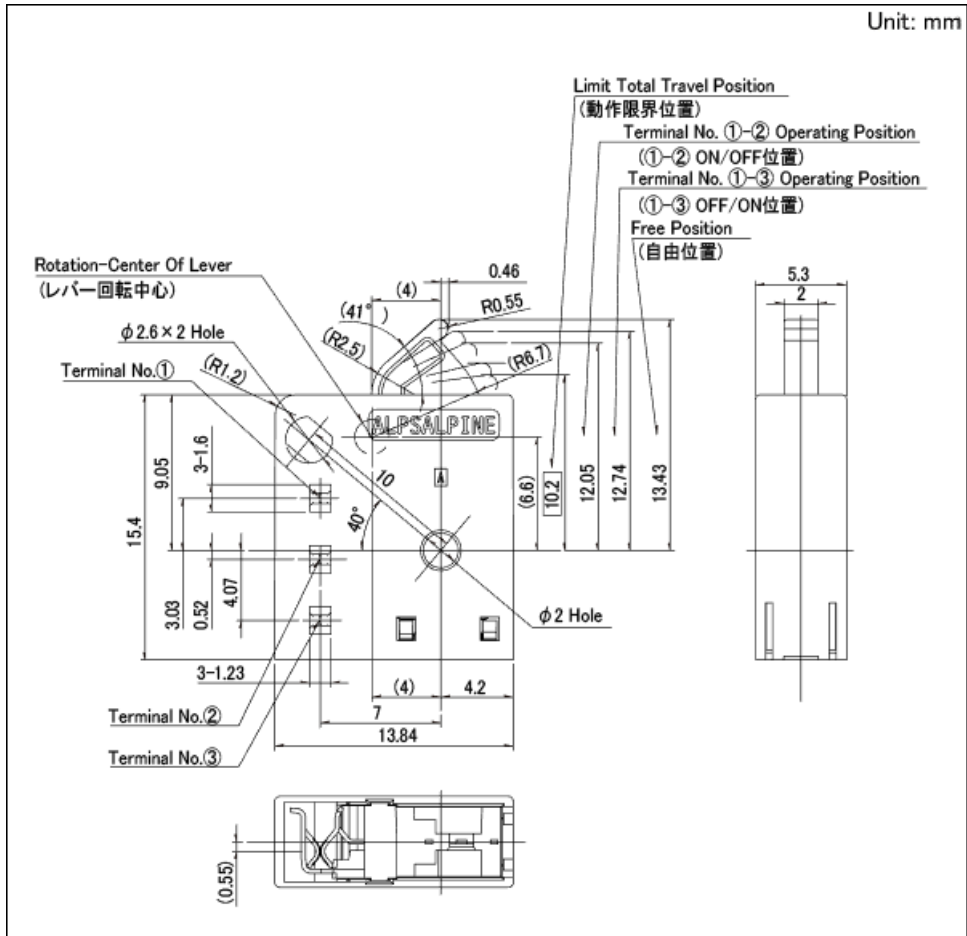
With Connector Terminal Two-way Operation, 1-pole 2-positions Type  
SSCZ Series



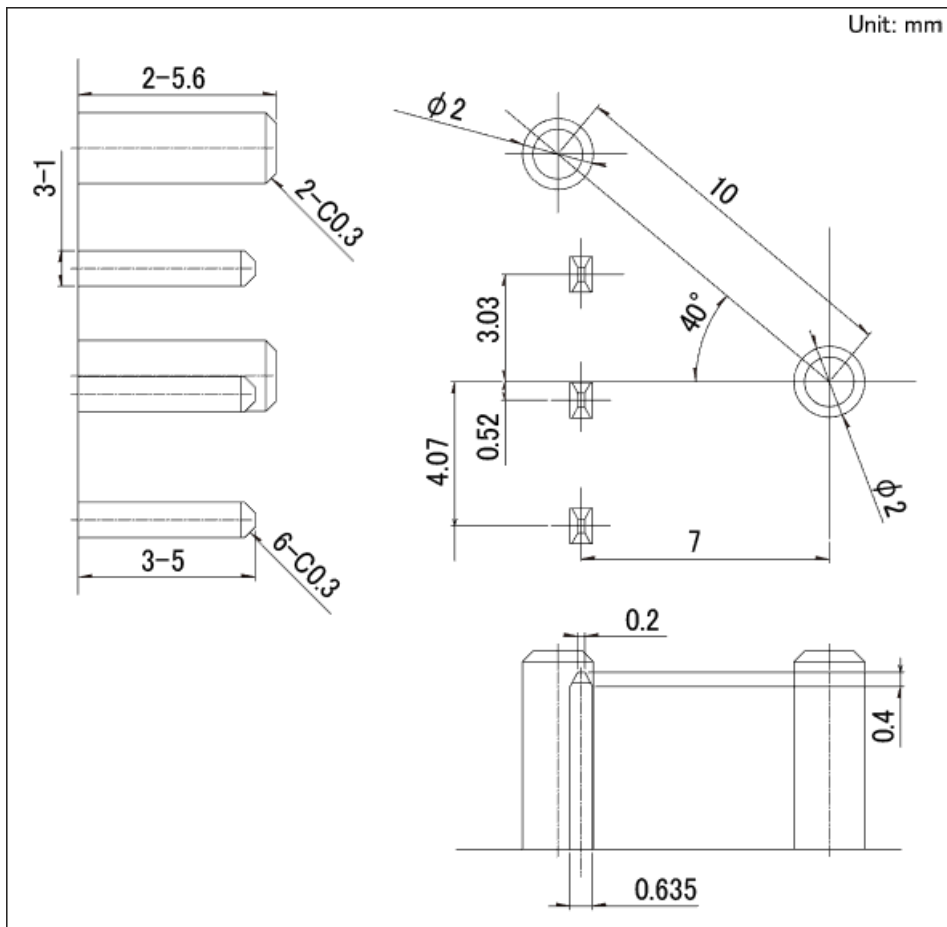
Part number  
**SSCZ110101**

Poles		1
Positions		2
Terminal type		Connector type
Operating force		1.1N max.
Operating temperature range		-45°C to +85°C
Rating (max.)/(min.) (Resistive load)		0.1A 16V DC/100μA 3V DC
Electrical performance	Contact resistance (Initial/After operating life)	500mΩ max./1Ω max.
	Insulation resistance	100MΩ min. 250V DC
	Voltage proof	250V AC for 1minute
Mechanical performance	Actuator strength	20N
Durability	Operating life without load	300,000 cycles 1Ω max.
	Operating life with load Rating (max.) (Resistive load)	300,000 cycles 1Ω max.
Environmental performance	Cold	-40°C 500h
	Dry heat	85°C 500h
	Damp heat	60°C, 90 to 95%RH 500h
Minimum order unit (pcs.)	Japan	1,200
	Export	6,000

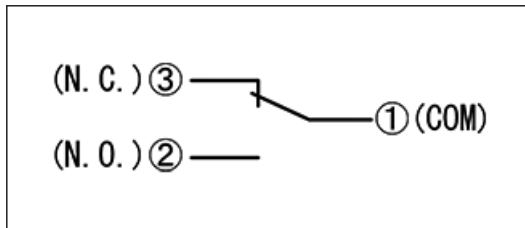
## Dimensions



## Terminal Style



## Circuit Diagram



---

## Packing Specifications

### Bulk

---

Number of packages (pcs.)	1 case / Japan	1,200
	1 case / export packing	6,000
Export package measurements (mm)	389×276×380	

---

Notes are common to this series/models.

1. This site catalog shows only outline specifications. When using the products, please obtain formal specifications for supply.
2. Place your purchase order in N minimum package units (N: integer).